

CI-MM3-II

3" Compact, Full-Range
In-Wall Speaker



Specifications: CI-MM3-II

Mounting hardware included

Nominal Impedance	8 ohms
Sensitivity dB @ 2.83V/1M	88 dB
Frequency Response (1)	82 Hz - 22 kHz
Recommended Power	5 - 60 Watts
Transducer - Full-Range Driver	3" Polypropylene w/ NBR Surround
Colors	White
Enclosure alignment	Infinite Baffle
Grille - material	White Grille and Almond Grille Included (Fits Standard Dual Gang Box)
Height (SM = Height)	104.8 mm / 4.12"
Diameter (SM = Width)	104.8 mm / 4.12"
Depth	48.3 mm / 1.9"
Cutout Height (Surface Mount Height)	73.0 mm / 2.87"
Weight	0.7 kg / 1.5 lb
Shipping Weight	1.8 kg / 4 lb
Accessories Optional	AC-CI15-PCB
Regulatory - CE	approved
Regulatory - RoHS	approved

Description

The Spacia CI-MM3-II is designed to fit into a standard double gang box or mud ring, making it simple to install in kitchens, foyers, bathrooms and hallways. The CI-MM3-II includes self-resetting solid-state PTC protection circuits, which detect when the speaker is being over-driven and lower its volume until it is corrected. The CI-MM3-II offers outstanding audio despite its size.

Applications

Engineered for home theater or distributed audio applications where high-efficiency, added bass response and rapid installation are critical. The CI15 is ideal for any setting where full-range intelligibility and installation ease is paramount, such as smaller rooms, hallways and small commercial installations.

Patented Phase Technology Technologies

Phase Technology and MSE Audio Group constantly develop new technologies

that enhance audio product performance. Phase Technology innovations are protected by multiple U.S. and international patents, which explicitly cover Phase Technology dispersion, enclosure and dome technologies. MSE Audio Group actively defends its patents in order to protect Phase Technology resellers and end users.

Technical Data and Specification Tools

Technical Data

Phase Technologies strives to provide complete and effective technical information and data to dealers, engineers and designers. All data are available from SoundTube Entertainment or at www.soundtube.com. Technical data and downloads include: EASE™ data - 3-D polar plots. EASE™ Address - 2-D modeling for distributed systems Autodesk® Revit® software Tech Sheets - Technical information and architectural specs for system engineers SoundTubeSPEC™ - Proprietary speaker placement software

Data Acquisition and Verification

All data for Phase Technologies speakers are independently collected from and verified by NWAALabs (www.nwaalabs.com) using their proprietary MACH testing system. All data are collected and analyzed according to ASTM, ISO and AES standards using EASRA, TEF and MLSSA. Full balloon data including both phase and magnitude are compiled into a variety of formats including EASE 4.x, GLL and CLF.

Features

- One 3 inch polypropylene woofer with butyl rubber surround
- Six position tap switch for commercial applications, or bypass transformer and run as standard 8Ω
- Limited Lifetime Warranty
- Auto-Reset Overload Protection
- Absolute Phase Crossover Network
- Magnetic Micro-Flange Grilles
- Weatherized For Indoor/Outdoor Use
- Optional accessories: pre-construction bracket (AC-CI15-PCB)
- UL 1480 (UEAY) and 2043 approved

CI-MM3-II

3" Compact, Full-Range
In-Wall Speaker



Phase Technology

8005 W. 110th St. | Suite 208

Overland Park, KS 66210

Phone 9136635600

Fax

Toll Free 8556635600

<http://phasetech.mseaudio.com>

All Phase Technologies

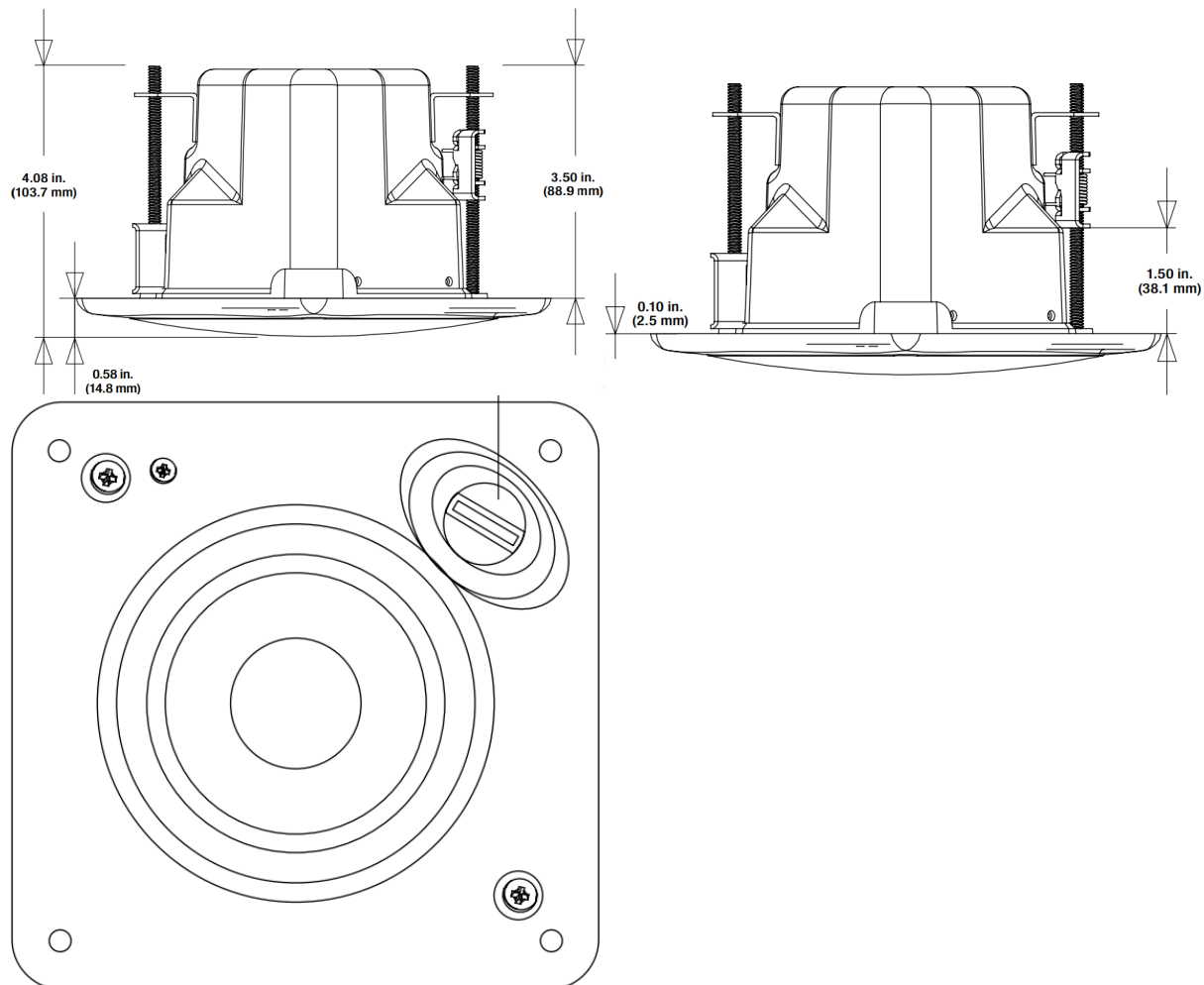
products come with a 5-year
limited warranty.

CI-MM3-II

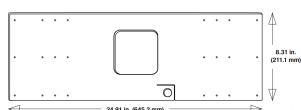
3" Compact, Full-Range
In-Wall Speaker



Mechanical Drawings



Optional Accessories



AC-CI15-PCB