

CI620

6.5" Coax In-Ceiling Speaker with
Integrated Metal Backcan and
Bypassable 70/100V Transformer



Specifications: CI620 **Mounting hardware included**

Nominal Impedance	16 Ω
Frequency Response (1)	60 Hz - 22 kHz
Recommended Power	10 - 80 Watts
Colors	Black, White
Grille - material	Painted White Steel Grille
Cutout Width/Diameter	8.37"
Weight	3.62 kg / 8 lb
Shipping Weight	4.08 kg / 9 lb
Accessories Optional	AC-CI20-PCB,AC-CI20-TB
Regulatory - UL	1480, 2043
Regulatory - CE	approved
Regulatory - RoHS	approved
Regulatory - CCC	approved

CI620

6.5" Coax In-Ceiling Speaker with Integrated Metal Backcan and Bypassable 70/100V Transformer



Description

The CI620 speaker has an integrated steel backcan and ported design for enhanced bass response with its 1" soft dome tweeter and 6.5" polypropylene woofer with butyl rubber surrounds. If 25/70.7/100V audio distribution is a preference, the CI620 comes with an integrated multi-tap transformer. All mounting hardware is included with each speaker and features Speedwing™ technology to ensure a fit in any drywall or drop-tile application. Tightening two screws locks the CI620 into place, creating an incredibly easy install. Incorporates a painted steel grille for lasted durability.

Applications

Engineered for home theater or distributed audio applications where high-efficiency, added bass response and rapid installation are critical.

Patented Phase Technology Technologies

Phase Technology and MSE Audio Group constantly

develop new technologies that enhance audio product performance. Phase Technology innovations are protected by multiple U.S. and international patents, which explicitly cover Phase Technology dispersion, enclosure and dome technologies. MSE Audio Group actively defends its patents in order to protect Phase Technology resellers and end users.

Technical Data and Specification Tools

Technical Data

Phase Technologies strives to provide complete and effective technical information and data to dealers, engineers and designers. All data are available from SoundTube Entertainment or at www.soundtube.com. Technical data and downloads include: EASE™ data - 3-D polar plots. EASE™ Address - 2-D modeling for distributed systems Autodesk® Revit® software Tech Sheets - Technical information and architectural specs for system engineers SoundTubeSPEC™ - Proprietary speaker

placement software

Data Acquisition and Verification

All data for Phase Technologies speakers are independently collected from and verified by NWAALabs (www.nwaalabs.com) using their proprietary MACH testing system. All data are collected and analyzed according to ASTM, ISO and AES standards using EASRA, TEF and MLSSA. Full balloon data including both phase and magnitude are compiled into a variety of formats including EASE 4.x, GLL and CLF.

Features

- One 6.5 inch polypropylene woofer with butyl rubber surround
- One 1 inch silk dome tweeter
- Limited Lifetime Warranty
- Auto-Reset Overload Protection
- Absolute Phase Crossover Network
- Painted White Steel Grille
- Included Accessories: color-coded tile bridge, conduit clamp, paint shield
- Optional Accessories: pre-construction bracket (AC-CI20-PCB), tile bridge (ACCI20-TB)
- UL 1480 & 2043 Approved

Transformer Taps

CI620

6.5" Coax In-Ceiling Speaker with
Integrated Metal Backcan and
Bypassable 70/100V Transformer



70.7 V OUTPUT	100 V OUTPUT	25 V OUTPUT
32 W 105.5 dB	32 W 105.0 dB	4 W 96.0 dB
16 W 102.0 dB	16 W 102.0 dB	2 W 93.0 dB
8 W 99.0 dB	8 W 99.0 dB	1 W 90.0 dB
4 W 96.0 dB	4 W 96.0 dB	0.5 W 87.0 dB
2 W 93.0 dB		0.3 W 84.0 dB

Phase Technology

8005 W. 110th St. | Suite 208

Overland Park, KS 66210

Phone 9136635600

Fax

Toll Free 8556635600

<http://phasetech.mseaudio.com>

All Phase Technologies

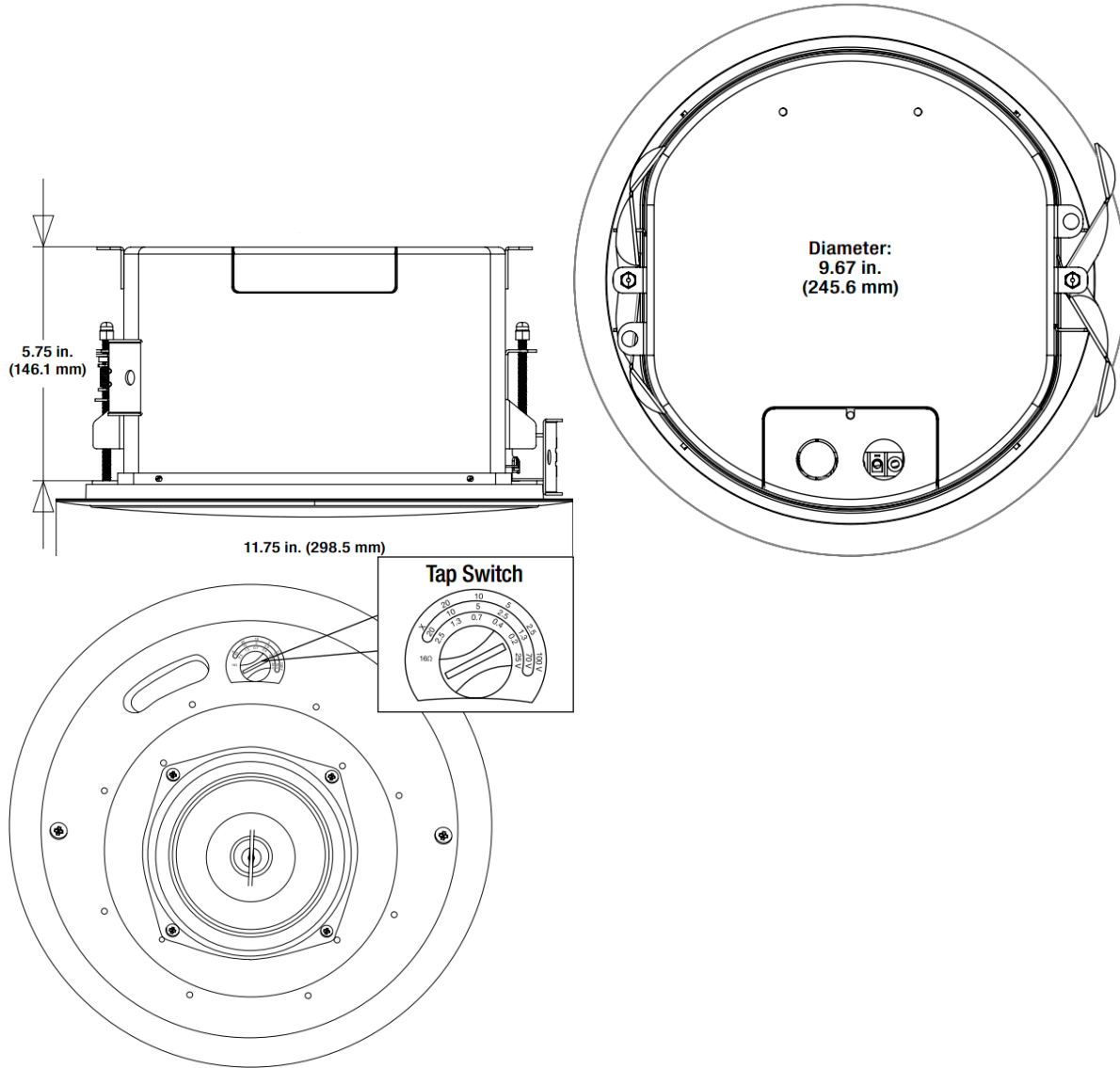
products come with a 5-year
limited warranty.

CI620

6.5" Coax In-Ceiling Speaker with
Integrated Metal Backcan and
Bypassable 70/100V Transformer



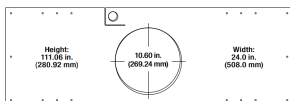
Mechanical Drawings



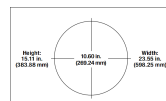
Included Accessories

Paint Mask

Optional Accessories



AC-CI20-PCB



AC-CI20-TB