



Description:

The CI15 is a full-range 3-inch in-wall speaker, incorporating a low-profile grille and a total visible footprint of 5 inches with an integrated metal backcan.

The CI15 features a six-position tap switch with a transformer bypass position. Features a secure constant tension SpeedWing™ mounting system.

Features:

- One 3 inch polypropylene woofer with butyl rubber surround
- Six position tap switch for commercial applications, or bypass transformer and run as standard 8Ω
- Limited Lifetime Warranty
- Auto-Reset Overload Protection
- Absolute Phase Crossover Network
- Magnetic Micro-Flange Grilles
- Weatherized For Indoor/Outdoor Use
- Optional accessories: pre-construction bracket (AC-CI15-PCB)
- UL 1480 (UEAY) and 2043 approved

Applications:

Engineered for home theater or distributed audio applications where high-efficiency, added bass response and rapid installation are critical. The CI15 is ideal for any setting where full-range intelligibility and installation ease is paramount, such as smaller rooms, hallways and small commercial installations.

Transformer Taps:

70.7 V OUTPUT	100 V OUTPUT	25 V OUTPUT
20 W 100.0 dB	20 W 100.0 dB	5 W 94.0 dB
10 W 97.0 dB	10 W 97.0 dB	2.5 W 91.0 dB
5 W 94.0 dB	5 W 94.0 dB	1.25 W 88.0 dB
2.5 W 91.0 dB	2.5 W 91.0 dB	0.63 W 85.0 dB
1.25 W 88.0 dB		0.32 W 82.0 dB

Warranty Information:

The CI15 comes with a limited lifetime warranty. Products not sold through an authorized dealer/distributor will not be supported by the factory warranty. Warranties are non-transferable.

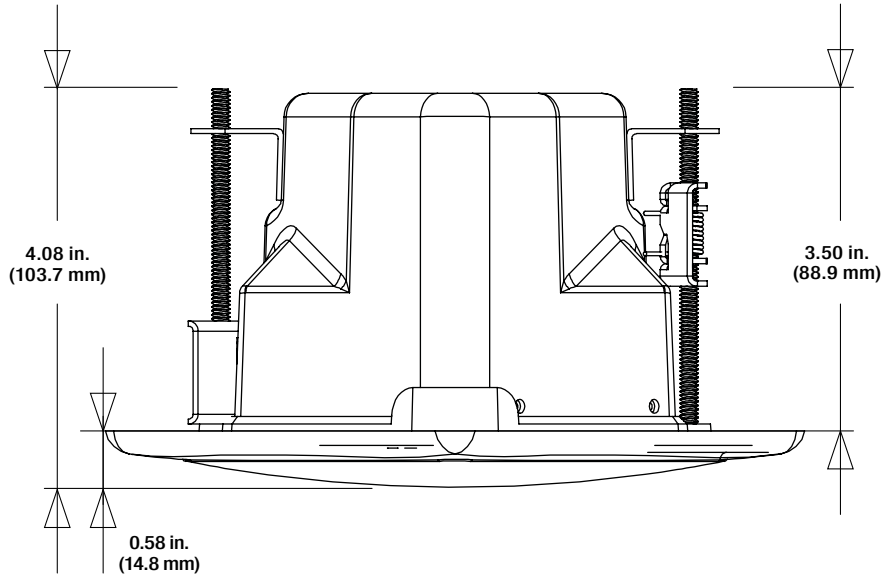
Phase Technology:

8005 W 110th St
Suite 208
Overland Park, KS 66102
Phone: 913.663.5600
Toll Free: 855.663.5600
Fax: 913.663.3200
www.phasetech.com

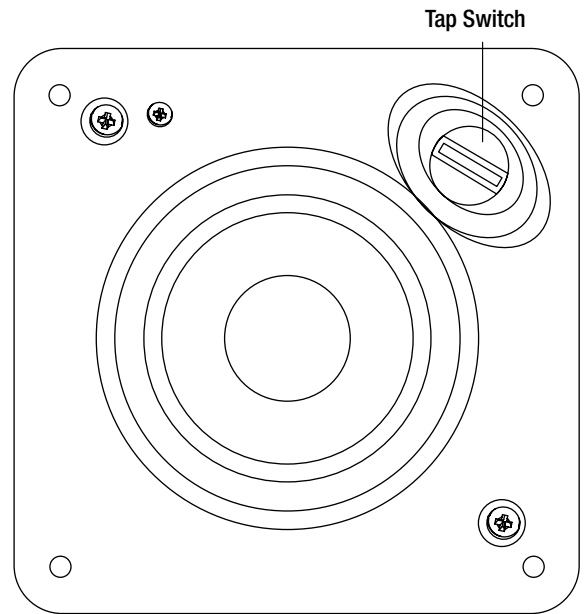
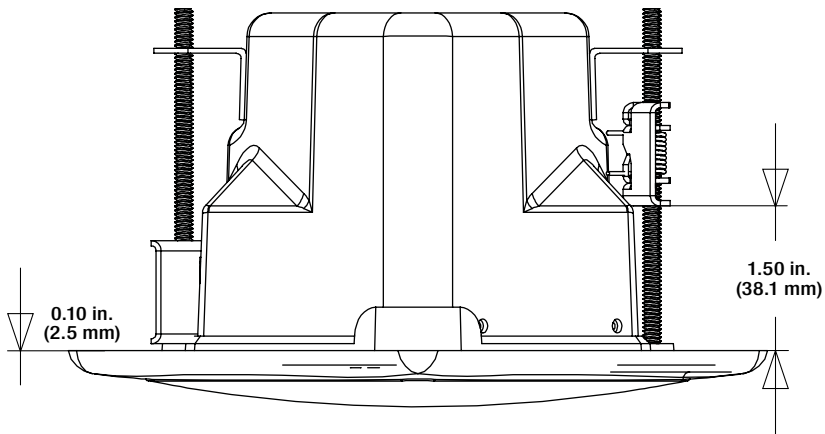
CI15 PRODUCT SPECIFICATIONS

NOMINAL IMPEDANCE	8Ω
SENSITIVITY dB @ 2.83V/1M	85.5 dB
FREQUENCY RESPONSE	115 Hz - 22 kHz
RECOMMENDED POWER	5 - 60 Watts
TAP SELECTOR	Six-Position Rotary Switch or Transformer Bypass Position
TWEETER	N/A
MIDRANGE	N/A
WOOFER	3" (76.2 mm) Polypropylene w/ NBR Surround
ENCLOSURE MATERIAL	Steel
ENCLOSURE TYPE	Sealed/ ABS Baffle
INPUTS	Hardwire Lead
GRILLE	White ABS/ Aluminum (paintable)
COLOR OPTIONS	Black or White
DIMENSIONS	5" (127 mm) H x 5" (127 mm) W x 4.125" (104.8 mm) D
CUTOUT DIMENSIONS	4.35" (110.5 mm) H x 4.35" (110.5 mm) W
MOUNTING DEPTH	3.5" (88.9 mm)
WEIGHT	3.1 lbs
SHIPPING WEIGHT	4 lbs
INCLUDED ACCESSORIES	Conduit Connector, Paint Mask, Wire Nuts
OPTIONAL ACCESSORIES	Pre-Construction Bracket (AC-CI15-PCB)
REGULATORY - UL	UL 1480 (UEAY) and 2043 Approved
REGULATORY - CE	Approved
RoHS	Approved

Mechanical Drawings



Minimum/Maximum Ceiling Thickness



Optional Accessories

Pre-Construction Bracket (AC-CI15-PCB)

