

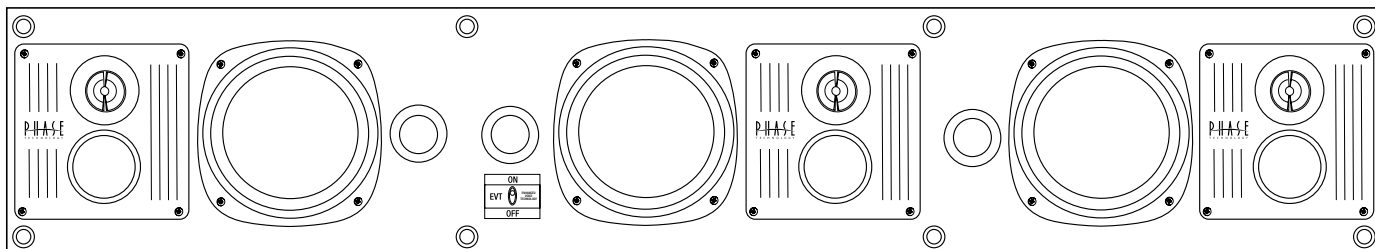


[TEATRO[®]]
[soundbars]

PC3.0

OWNER'S MANUAL & INSTALL GUIDE

PC3.0



[FEATURES] • SFE™ (Spatial Field Expander) Circuitry Produces a Wide Soundstage • EVT™ (Enhanced Voice Technology) With On/Off Switch • Wall-Mount Only • Custom Grille Option to Fit the Width of Flat Panel Screens

CAUTION: BE VERY CAREFUL NOT TO DAMAGE THE MIDRANGE DOMES OR SFE [SPATIAL FIELD EXPANDERS™] DRIVERS LOCATED ON THE SIDE OF THE CABINET WHILE HANDLING THE SOUNDBAR.

Thank you for choosing Phase Technology® speakers. We know there are a wide variety of choices available today, and we sincerely appreciate your purchase of our product. Phase Technology speakers are built to exacting standards and will provide many years of listening enjoyment.

Our speakers are the result of over five decades of designing and manufacturing. We hold many key patents in loudspeaker technology including the soft-dome tweeter. Our mission, our passion is to constantly advance the art and science of accurate audio reproduction. Our dedication insures your new speakers will accurately reproduce all the impact, detail and delicacy of today's digital technology.

Regardless of application, serious audiophile listening or home theater, we recommend that you take the time to read this manual thoroughly before connecting speakers to your amplifier or receiver. In the highly unlikely event that you should experience a problem with set-up or operation, please contact one of our authorized dealers for assistance, or contact us directly.

Phase Technology Corporation
8005 W. 110th St., Suite 208
Overland Park, KS 66210
855.663.5600 (Domestic)
+1.913.663.5600 (International)
Fax: 913.663.3200

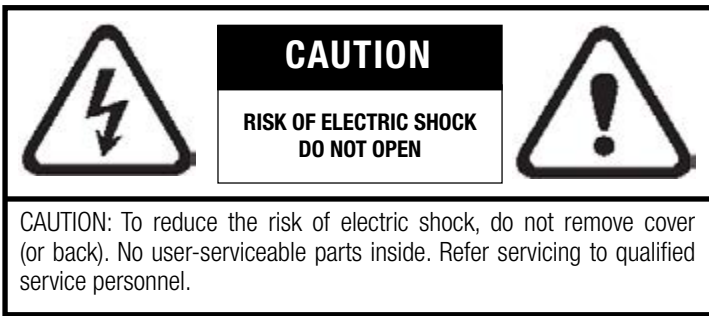
The TEATRO® soundbar speakers are a compact design made to fit under flat panel TV's. For "on wall" applications they come with a mounting bracket that has adjustments for lining up and vertically leveling the speaker with the flat panel TV. There are also threaded inserts located on the rear of the cabinet for applications where mounting the speakers to a display wall bracket mechanism is required.

Note: Please check with the mount manufacture for compatibility if you are using a flat panel display mount that includes speaker mounting brackets. Check the specifications for total weight limitations and make sure it will support a sound bar speaker of between 25-30 Lbs.

SAFETY INSTRUCTIONS	3
GETTING STARTED AND PRECAUTIONARY NOTES	4
PICKING A MOUNTING LOCATION	4
HOW TO HOOK UP YOUR TSB3.0 SOUNDBAR	5
MOUNTING TO FLAT PANEL MOUNTING BRACKETS	7
CARING FOR YOUR SPEAKERS	7
MAINTENANCE AND SERVICE	7
TROUBLESHOOTING	7
WARRANTY	8
SPECIFICATIONS	8

Copyright © 2014 MS Electronics, LLC. All rights reserved. MSE Audio, Phase Technology and PhaseTech are registered trademarks and "Speakers for your Life" is a trademark of MSE Audio, Overland Park, Kansas USA. Phase Technology is part of MSE Audio®. www.phasetech.com.

[SAFETY INSTRUCTIONS]



Explanation of Graphical Symbols



The lightning flash with arrowhead symbol, within an equilateral triangle, is intended to alert you to the presence of un-insulated "dangerous voltage" within the product's enclosure that may be of sufficient magnitude to constitute a risk of electric shock to persons.



The exclamation point within an equilateral triangle is intended to alert you to the presence of important operating and maintenance (servicing) instructions in the literature accompanying the appliance.

1. Read Instructions - All the safety and operating instructions should be read before the appliance is operated.

2. Retain Instructions - The safety and operating instructions should be retained for future reference.

3. Heed Warnings - All warnings on the appliance and in the operating instructions should be adhered to.

4. Follow Instructions - All operating and other instructions should be followed.

5. Water and Moisture - The appliance should not be used near water - for example, near a bathtub, washbowl, kitchen sink, laundry tub, in a wet basement, or near a swimming pool, etc.

6. Carts and Stands - The appliance should be used only with a cart or stand that is recommended by the manufacturer.

PORTABLE CART WARNING



7. Wall or Ceiling Mounting - The appliance should be mounted to a wall or ceiling only as recommended by the manufacturer.

8. Ventilation - The appliance should be situated so that its location or position does not interfere with its proper ventilation. For example, the appliance should not be situated on a bed, sofa, rug, or similar surface that may block the ventilation openings; or placed in a built-in installation, such as a bookcase or cabinet

that may impede the flow of air through the ventilation openings.

9. Heat - The appliance should be situated away from heat sources such as radiators, stoves, or other appliances that produce heat.

10. Power Source - The appliance should be connected to a power supply only of the type described in the operating instructions or as marked on the appliance.

11. Power Cord Protection - Power supply cords should be routed so that they are not likely to be walked on or pinched by items placed up or against them, paying particular attention to cords at plugs, convenience receptacles, and the point where they exit from the appliance.

12. Cleaning - The appliance should be cleaned only as recommended by the manufacturer.

13. Nonuse Periods - The power cord of the appliance should be unplugged from the outlet when left unused for a long period of time.

14. Object and Liquid Entry - Care should be taken so that neither objects fall nor liquids spill into the inside of the appliance.

15. Damage Requiring Service - The application should be serviced by qualified service personnel when:

- the power supply cord or the plug has been damaged,
- objects have fallen onto or liquid has been spilled into the appliance,
- the appliance has been exposed to rain,
- the appliance does not appear to operate normally or exhibits a marked change in performance, or
- the appliance has been dropped or the cabinet damaged.

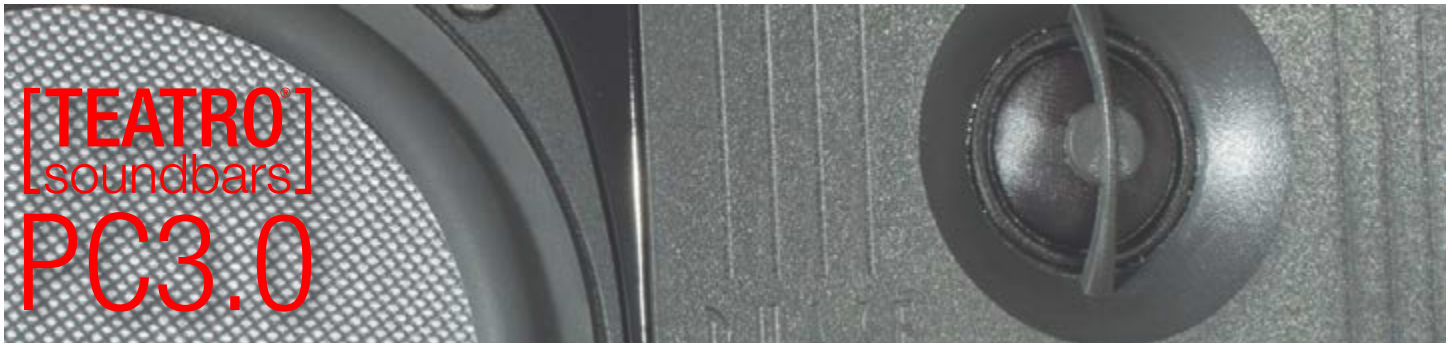
16. Servicing - The user should not attempt to service the appliance beyond those means described in the operating instructions. All other servicing should be referred to qualified service personnel.

17. Grounding or Polarization - Precautions should be taken so that the grounding or polarization means of an appliance is not defeated.

APPLICABLE FOR USA, CANADA OR WHERE APPROVED FOR USAGE

CAUTION: TO PREVENT ELECTRIC SHOCK, MATCH WIDE BLADE PLUG TO WIDE SLOT, INSERT FULLY.

ATTENTION: POUR EVITER LES CHOCS ELECTRIQUES, INTRODUIRE LA LAME LA PLUS LARGE DE LA FICHE DANS LA BORNE CORRESPONDANTE DE LA PRESE ET POUSSER JUSQU'AU FOND.



[GETTING STARTED AND PRECAUTIONARY NOTES]

For proper connection and therefore full enjoyment of your new Phase Technology speakers, we encourage you to read this owners' manual thoroughly, even if you are very familiar with installing speakers and home entertainment equipment.

Speaker placement is very subjective. Placement follows the guidelines for the developers of multi-channel home entertainment systems, yet is also guided by personal preferences. The proper spacing, location and adjustment of front, rear and center-channel speakers as well as subwoofers are critical for complete enjoyment of your new speakers. This manual covers these topics thoroughly.

Before connecting your new speakers or other system components, turn the system power off and unplug your amplifier to avoid any possibility of damage from power surges or unbalanced loads before the system is properly connected.

Observe speaker polarity carefully! Every cable, speaker terminal and amplifier connection are clearly marked to show their positive (+) and negative (-) polarities. For ideal system performance, always connect the positive side of the cable (marked with a stripe, color and /or other indicator) to the positive terminals on your speakers and amplifier and the negative side of the cable to the negative terminals.

Amplifier selection is critical to your enjoyment of your new speakers. If you are considering upgrading your current component amplifier or multi-function receiver, we suggest purchasing as much power as your budget can afford. It will always be preferable to have an affordable high-powered model with fewer "bells and whistles" than a lower-powered model straining to operate near its power limits.

High volume settings that produce audible distortion – indicating an under-powered amplifier – could eventually damage your speakers and your amplifier.

Begin and end listening sessions at low volume levels so you will not power up your system the next time with possibly harmful high voltages. A damaging surge also could result if you change the input source (from FM tuner to CD player, for example) at high volume levels.

If you suspect that one channel of your amplifier has failed, have it repaired immediately by your dealer. Damage to your speakers could occur if you switch between the good and defective channels.

{PICKING A MOUNTING LOCATION}

When selecting the speaker mounting location, it is prudent to take a few extra minutes to carefully inspect and measure the wall where you intend to mount the TEATRO® soundbar speakers and your flat panel display. An inspection of the room or rooms that back up to the wall you have selected for mounting the TEATRO® can often alert you to potential obstacles. For example, if the wall you want to mount to happens to be the common wall for a bathroom or kitchen, there is a good chance you will encounter water or sewer pipes in the wall that will not be detected by a stud-finder. An electronic stud-finder is a useful tool to assist you in selecting the speaker placement, but be cautious as they often give false readings.

It is recommended that wherever possible you try to fasten these mounting brackets to a vertical stud with the appropriate wood screws. If it is not possible to mount the brackets over the studs then it is recommended that the appropriate hollow wall anchors or toggle bolts be used to mount the TEATRO®. Be certain to use at least four of the mounting holes on each bracket to assure a safe and reliable installation.

Note: to take full advantage of Phase Technology's Spatial Field Expander (SFE™), please try to mount the speaker so that the sides of the speaker cabinet are not obstructed.

[HOW TO HOOK UP YOUR PC3.0 SOUNDBAR]

STEP 1

Determine that the desired mounting location is safe and clear of any physical obstructions that might hinder the proper installation of the speakers. If the flat panel monitor is already installed on the wall you can use it as a guide for the installation of the speakers. For the best appearance it is recommended that the speaker be installed symmetrically beneath the monitor. The spacing from the monitor is not critical so you may use whatever is most appealing aesthetically but the speakers' response characteristics will be best if you stay within a few inches of the display.

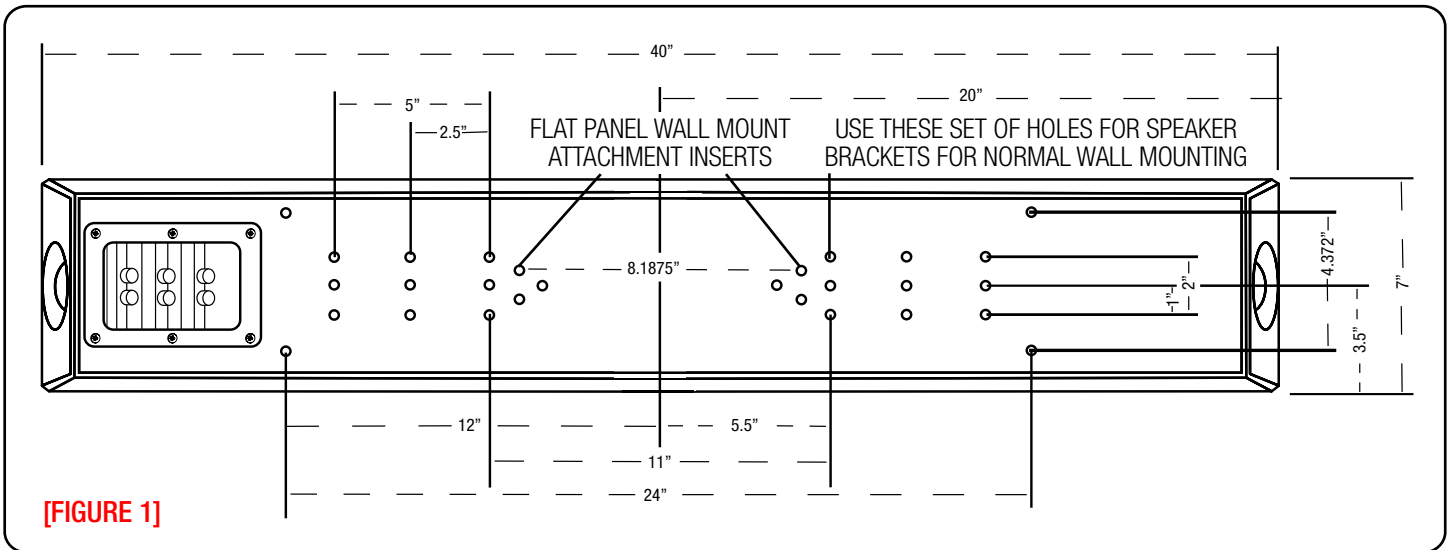
Special consideration must be taken to run three (3) sets of speaker leads to the TEATRO® soundbar speakers. One pair each will be connected to the left and right channel on your amplifier and the other pair will be used for the center channel. Be certain that you can get the speaker wire to the locations where you plan to mount the speaker systems.

Please note that the TEATRO® soundbar speakers are designed to mount very close to the wall and the brackets only allow about 1" of clearance so be certain to make allowances for this with your speaker connectors and wire clearances.

We suggest that you use a minimum of AWG #16 wire. Pre-run your speaker wire to the determined locations and be certain to leave about two feet of extra wire for the final speaker installation. If the flat panel monitor is not yet mounted to the wall, mount the display first before mounting the speakers.

STEP 2

Normal mounting for the TEATRO® soundbar speaker is centered directly below the display. Both the speaker and the brackets have a series of holes that allow for flexibility in mounting. The brackets can also slide inside each other for left/right positioning adjustments. The holes in the brackets allow them to be positioned for attaching to 16" on center studs. There are four identical brackets supplied with the speaker. Two are mounted to the wall, two are mounted to the rear of the speaker cabinet.

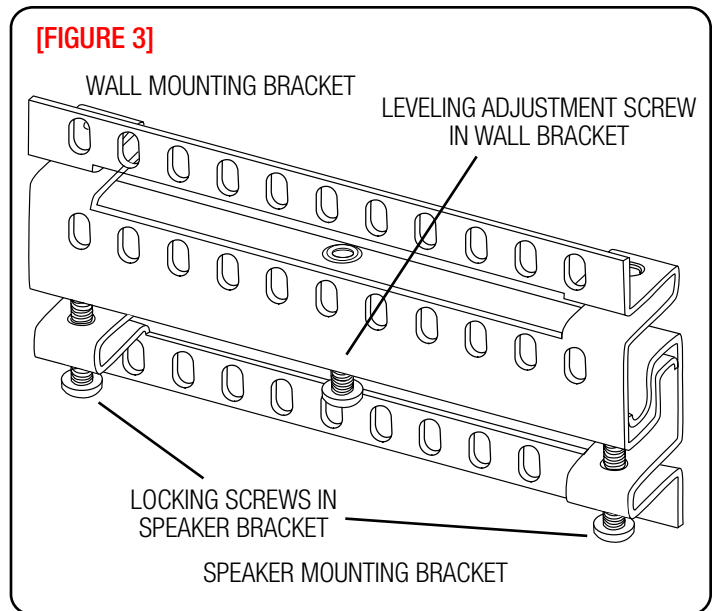
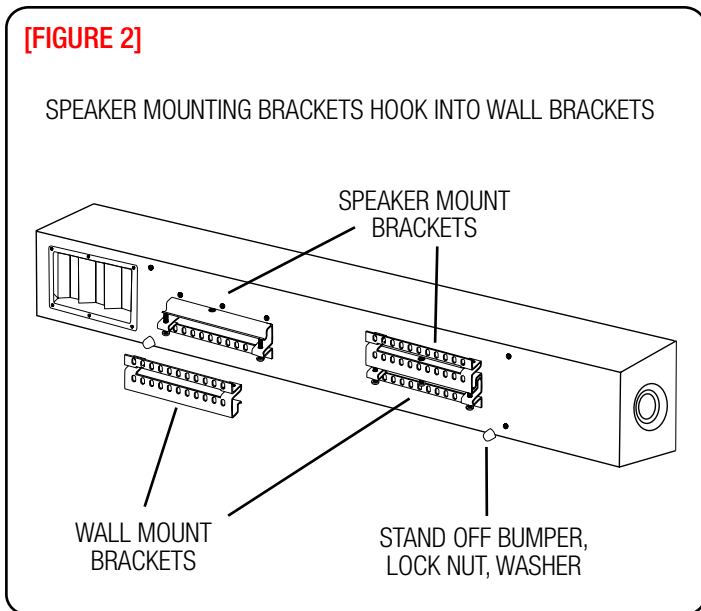


the brackets allow them to be positioned for attaching to 16" on center studs. There are four identical brackets supplied with the speaker. Two are mounted to the wall, two are mounted to the rear of the speaker cabinet.

Measure your flat panel display horizontally and find the center (width). The brackets should be positioned 5" either side of this center line. Using the mounting bracket as a guide, measure 1 1/2" from the bottom of the display to the top edge of the bracket and 5" over from the center line to the bracket edge (see Fig. 1). This will allow about a 1/4" space between the bottom of the display and the speaker cabinet. This spacing can be adjusted to suit personal taste or applications as necessary. Use a level to make sure the mounting bracket is straight. With

STEP 3

Place your TEATRO® soundbar speaker face down on a soft clean surface with the grille on. Orient the speaker so the input terminal is on the left hand side. The second pair of steel brackets supplied with the speaker is designed to attach to the threaded inserts on the rear of the speaker cabinet with the eight supplied 4 mm x .7 x 12 mm Philips screws and #6 washers. Align the holes on the brackets with the center



and bottom set of mounting holes on the rear of the speaker. Position the brackets similar to the ones mounted on the wall with the “J” bend up so it can hook into the wall bracket. Attach brackets to the rear of the speaker using four screws per bracket (Fig. 1 & 2).

Install one each of the 6, #10-32x1” Phillips screws in the threaded nut located in the bottom center of the “J” bend of the two wall mounted brackets. These screws are for leveling the speaker. Start the screws, but do not screw in at this time. Install the other four 1” screws in the end mounted nuts of the cabinet mounted brackets. These are the bracket locking screws and should be installed so they can be adjusted from the bottom of the speaker (Fig. 3).

Assemble the two rubber stand-off bumpers next. Thread one nut onto each bumper stand-off and then one nylon washer. Run the nut about halfway down the screw. Thread each of the bumper stand-offs into the two lower inserts located on the bottom rear edge of the cabinet (Fig. 2).

STEP 4

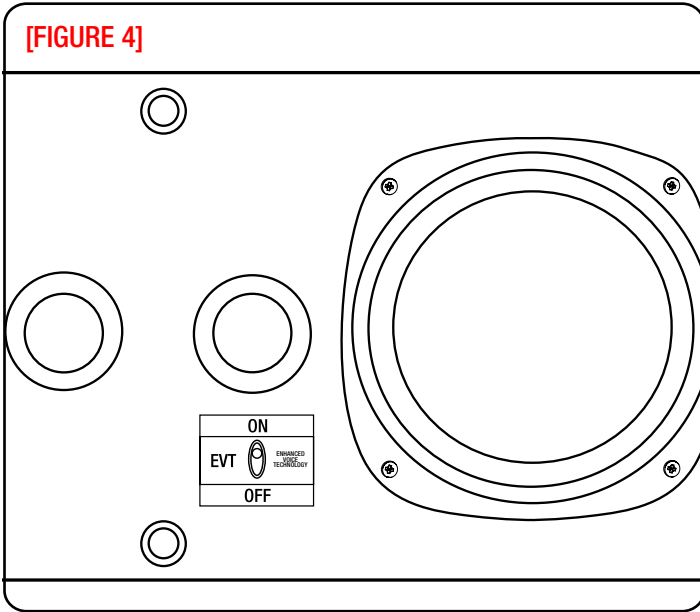
There are three pair of gold binding post terminals on the rear of the speaker cabinet. The terminals are marked for Right Input, Center Input and Left Input and should be connected to the respective speaker channel outputs on your receiver. Connect the speaker wires to the correct terminals observing the polarity indicated on the terminal. Red is + or positive and black is – or negative. Strip about ½” of insulation from the wires and separate the wires as necessary.

If you are using other wire lugs or connectors, attach them at this time to the bare wire. Unscrew the binding post terminals and slip the stripped end of the wire through the hole in the metal post. Secure the wire in the post by tightening the binding post terminal nut down on the bare wire or lug. Make sure the nut is tight and the wire will not pull out of the terminal by lightly pulling back on the wire. Tuck the speaker wire in behind the speaker cabinet; if necessary, neaten up the wire with the use of tie wraps.

STEP 5

The TEATRO® soundbar speaker is now ready to be mounted to the brackets that were screwed to the wall in step 2. The brackets are made to interlock with each other. Raise the speaker so the brackets on the rear of the cabinet are aligned with the wall brackets and engage the “J” bends in the two sets of brackets together. If the speaker is being installed very close to the bottom of the flat panel display the speaker brackets can be slid into each other from the side. After the brackets are interlocked, it is a simple matter to center the speaker by sliding it side to side. The speaker can also be leveled by turning in the appropriate height adjusting screw to raise and lower the ends of the speaker. This is done with a #2 Phillips screwdriver from the bottom side of the bracket. Once the speaker position is trimmed up it should be locked in place using the 4 locking screws in the speaker bracket (Fig. 3). Be careful not to over-tighten the screws.

Adjust the rubber stand-off bumpers by turning them either in or out to adjust the tilt of the speaker until the front is vertical. Lock the adjusting screws in place by tightening the locking nuts against the rear of the cabinet. Make certain the nylon washer is between the nut and the cabinet to protect the cabinet finish.



STEP 6

Since the TEATRO® soundbar speakers perform as the front three speakers in a home theater system they are to be used and set up as you would any normal 5.1 to 7.2 surround sound system for balance and level adjustments. For the best performance, the amplifier should be set to the small speaker mode for the left/center/right front speakers. The subwoofer setting should be set to 80 Hz. We recommend the use of our Phase Technology subwoofers and surround speakers to complement your TEATRO® Soundbar.

STEP 7

The EVT™ switch (Fig. 4), located on the front of the speaker under the grille, activates Phase Technology's Enhanced Voice Technology feature. This feature is designed to improve the clarity of the voice or dialogue from the center channel speakers in the system. Flipping the switch to the up position engages the circuit and down turns it off.

[MOUNTING TO FLAT PANEL MOUNTING BRACKETS]

There are additional mounting inserts on the rear of the speaker cabinet to facilitate at panel mounts (see note on Figure 1). There are six threaded inserts provided that coincide with the requirements of most manufacturers' mounts. Please check with your Phase Technology dealer for appropriate mounts and compatibility.

[CARING FOR YOUR PHASE TECHNOLOGY SPEAKER]

All Phase Technology speakers are finished with a high degree of craftsmanship in either hand polished paint or vinyl laminates. We recommend using a lint-free rag with a small amount of glass cleaner to maintain the long-lasting beauty of the finish. Avoid products containing silicones, oils, oil derivatives, or solvents. Enclosures finished in vinyl laminates may be cleaned with a damp cloth as necessary.

[MAINTENANCE AND SERVICE]

Because of Phase Technology's uncompromising quality control programs, it's unlikely that your speakers will ever need service if connected and used as outlined in this Owners' Manual. In the unlikely event that a problem does occur, please contact your Phase Technology dealer. Your dealer has the necessary factory-authorized parts and trained technicians to quickly restore your speaker to its original performance specifications.

[TROUBLESHOOTING]

NO SOUND

1. Verify that all components are plugged in and turned on.
2. Check all speaker wires and cables for loose connections.
3. Check to see if you have selected the proper source on your amplifier.

VOICES DO NOT APPEAR TO COME FROM BETWEEN THE SPEAKERS / BASS RESPONSE IS WEAK

1. Verify that all speaker connections from the amplifier to the speakers are running PLUS+ to PLUS+ and MINUS- to MINUS-.
2. Check to see if there are any furnishings or plants that may be blocking the output of a speaker.

SOUND, BUT NO BASS (MOST LIKELY IN SYSTEMS WITH A SUBWOOFER)

1. Verify that the subwoofer is plugged into an AC outlet and power is turned on.
2. Check that the speaker wire / cable going from the amplifier/receiver to the subwoofer is securely fastened.
3. Check the volume control of the subwoofer.
4. Refer to your amplifier/receiver manual to make sure you have adjusted its bass output properly.

MUDDY OR BOOMY BASS

1. Check the volume control for the subwoofer. Excess volume can cause speakers to sound distorted and unnatural.
2. Try adjusting the crossover control on the subwoofer or the subwoofer setup on your receiver to a slightly lower frequency (example:

reduce from 120 Hz to 80 or 60 Hz).

3. If the subwoofer or full size speaker is close to a corner, side or back wall, try moving it away from the wall. This may reduce the “boomy” bass considerably.
4. Bookshelf speakers placed in a semi-enclosed space or cabinet can artificially emphasize bass output. Reduce the bass control on your amplifier or move the speakers to the front of the cabinet. Alternatively, reposition the speakers to a more open location.

DISTORTED SOUND FROM THE SPEAKERS

1. This problem is usually caused by setting the volume control too high. Reduce the amplifier/receiver volume to a lower level.
2. If noise and distortion are audible at higher volume levels, your amplifier may not be powerful enough. Consider upgrading to a unit with higher power.

NOTE: Remember, even though your Phase Technology speakers can handle considerable power levels, ANY speaker if used improperly can be damaged. Consult your Phase Technology dealer for assistance in choosing a new amplifier or receiver.

[WARRANTY]

LIMITED WARRANTY: Phase Technology warrants its loudspeakers to be free from defects in material and workmanship for a period of ten (10) years for speaker product, limited lifetime for CI speakers, and three (3) years for the electronic components to the original purchaser. Purchase must be made from an authorized Phase Technology dealer.

This warranty does not cover service or parts to repair damage caused by misuse, abuse, damage while in transit, alterations, unauthorized repairs, failure to follow instructions, fire, flood or any other cause beyond the reasonable control of Phase Technology. Defects in speaker cabinets or grilles must be brought to the attention of your dealer immediately after purchase. This warranty will be void if the products’ serial number has been altered or removed.

Should your Phase Technology product require service, please call the MSE Audio customer service department for a return authorization. All merchandise returned to Phase Technology without prior authorization will be refused. For your return authorization number, please call 855.663.5600 or email sales@mseaudio.com.

[SPECIFICATIONS]	TEATRO® PC3.0 SOUNDBAR
TWEETER	(3) 1” patented woven synthetic soft dome
MIDRANGE	(3) 1.5” soft dome
WOOFER	(3) 5.25” Kevlar/glass Fiber/RPF composite solid piston w/ NBR Surround
SFE	(2) 1.5” patented woven synthetic soft dome Spatial Field Expanders™
RMS	15 - 150 W per channel
CROSSOVER FREQ	800 Hz, 3 kHz
FREQUENCY	52 Hz-22 kHz
SENSITIVITY	89 dB
IMPEDANCE	4Ω
DIMENSIONS	7” H x 40” W x 4.5” D
WEIGHT	30 lbs.
FINISH OPTIONS	Gloss Black and Satin Black
GRILLE	Push-On Wood Frame Grille with Black Cloth; Custom Grille Available (Sold Separately) to Match TV Width

