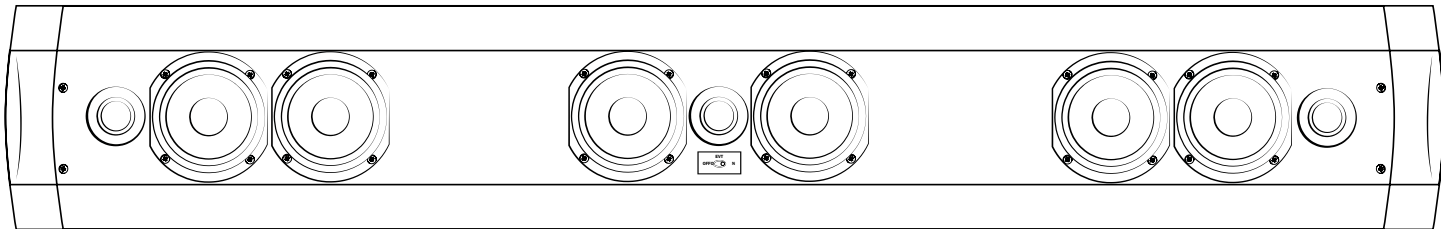




**[TEATRO<sup>®</sup>]**  
[soundbars]  
TSB3.0

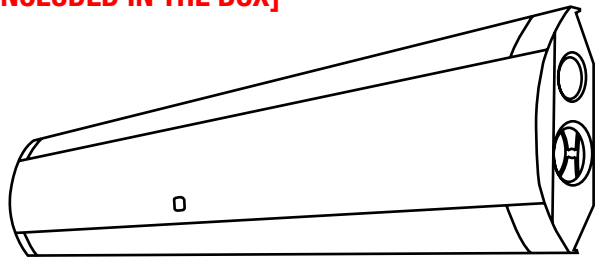
**OWNER'S MANUAL & INSTALL GUIDE**

**2-WAY LCR SOUNDBAR WITH EVT INTELLIGIBILITY CONTROL**

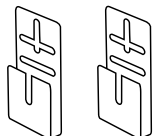


**CAUTION: BE VERY CAREFUL NOT TO DAMAGE THE MIDRANGE DOMES OR SFE [SPATIAL FIELD EXPANDERS™] DRIVERS LOCATED ON THE SIDE OF THE CABINET WHILE HANDLING THE SOUNDBAR.**

**[INCLUDED IN THE BOX]**



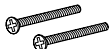
**1. TEATRO<sup>®</sup> TSB3.0**



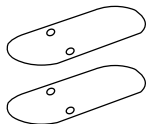
← 2. Mounting Bracket x2



← 3. Mounting Pin x2



← 4. Leveling Screw x2



← 5. Table Top Mounting Feet x2



← 6. Table Top Mounting Feet Screws x4



← 7. Table Top Mounting Screws x2



← 8. Euroblock Connectors x3

Thank you for purchasing the Phase Technology TEATRO<sup>®</sup> TSB3.0 soundbar. This high-definition LCR soundbar incorporates PhaseTech's exclusive Enhanced Voice Technology (EVT™) circuitry and Spatial Field Expanders (SFE™) to provide outstanding dialogue clarity along with an open, wide sound stage.

The TEATRO<sup>®</sup> TSB-3.0 soundbar speaker is an ultra thin design made to fit seamlessly under a flat panel TV. Both table top and wall mounting options are included with the product. For on-wall applications, the mounting bracket has adjustments for lining up and vertically leveling the speaker with the TV. The soundbar cabinet also has threaded inserts for mounting the TSB3.0 to a display wall bracket mechanism.



**Note:** please check with the display mount manufacturer for compatibility and ensure the display mount will support a 12 pound soundbar.

Regardless of application, serious audiophile listening or home theater, we recommend that you take the time to read this manual thoroughly before connecting speakers to your amplifier or receiver. In the highly unlikely event that you should experience a problem with set-up or operation, please contact one of our authorized dealers for assistance, or contact us directly.

Phase Technology Corporation  
8005 W. 110th St., Suite 208  
Overland Park, KS 66210  
855.663.5600 (Domestic)  
+1.913.663.5600 (International)  
Fax: 913.663.3200

<b>SAFETY INSTRUCTIONS</b>	<b>3</b>
<b>MOUNTING INSTRUCTIONS</b>	<b>4</b>
<b>WALL MOUNTING</b>	<b>5</b>
<b>TABLE TOP MOUNTING</b>	<b>5</b>
<b>CARING FOR YOUR SPEAKERS</b>	<b>7</b>
<b>MAINTENANCE AND SERVICE</b>	<b>7</b>
<b>TROUBLESHOOTING</b>	<b>7</b>
<b>WARRANTY</b>	<b>8</b>
<b>SPECIFICATIONS</b>	<b>8</b>

## [SAFETY INSTRUCTIONS]

	<b>CAUTION</b> <b>RISK OF ELECTRIC SHOCK</b> <b>DO NOT OPEN</b>	
CAUTION: To reduce the risk of electric shock, do not remove cover (or back). No user-serviceable parts inside. Refer servicing to qualified service personnel.		

### Explanation of Graphical Symbols



The lightning flash with arrowhead symbol, within an equilateral triangle, is intended to alert you to the presence of un-insulated "dangerous voltage" within the product's enclosure that may be of sufficient magnitude to constitute a risk of electric shock to persons.



The exclamation point within an equilateral triangle is intended to alert you to the presence of important operating and maintenance (servicing) instructions in the literature accompanying the appliance.

**1. Read Instructions** - All the safety and operating instructions should be read before the appliance is operated.

**2. Retain Instructions** - The safety and operating instructions should be retained for future reference.

**3. Heed Warnings** - All warnings on the appliance and in the operating instructions should be adhered to.

**4. Follow Instructions** - All operating and other instructions should be followed.

**5. Water and Moisture** - The appliance should not be used near water - for example, near a bathtub, washbowl, kitchen sink, laundry tub, in a wet basement, or near a swimming pool, etc.

**6. Carts and Stands** - The appliance should be used only with a cart or stand that is recommended by the manufacturer.

### PORTABLE CART WARNING



**7. Wall or Ceiling Mounting** - The appliance should be mounted to a wall or ceiling only as recommended by the manufacturer.

**8. Ventilation** - The appliance should be situated so that its location or position does not interfere with its proper ventilation. For example, the appliance should not be situated on a bed, sofa, rug, or similar surface that may block the ventilation openings; or placed in a built-in installation, such as a bookcase or cabinet

that may impede the flow of air through the ventilation openings.

**9. Heat** - The appliance should be situated away from heat sources such as radiators, stoves, or other appliances that produce heat.

**10. Power Source** - The appliance should be connected to a power supply only of the type described in the operating instructions or as marked on the appliance.

**11. Power Cord Protection** - Power supply cords should be routed so that they are not likely to be walked on or pinched by items placed up or against them, paying particular attention to cords at plugs, convenience receptacles, and the point where they exit from the appliance.

**12. Cleaning** - The appliance should be cleaned only as recommended by the manufacturer.

**13. Nonuse Periods** - The power cord of the appliance should be unplugged from the outlet when left unused for a long period of time.

**14. Object and Liquid Entry** - Care should be taken so that neither objects fall nor liquids spill into the inside of the appliance.

**15. Damage Requiring Service** - The application should be serviced by qualified service personnel when:

- the power supply cord or the plug has been damaged,
- objects have fallen onto or liquid has been spilled into the appliance,
- the appliance has been exposed to rain,
- the appliance does not appear to operate normally or exhibits a marked change in performance, or
- the appliance has been dropped or the cabinet damaged.

**16. Servicing** - The user should not attempt to service the appliance beyond those means described in the operating instructions. All other servicing should be referred to qualified service personnel.

**17. Grounding or Polarization** - Precautions should be taken so that the grounding or polarization means of an appliance is not defeated.

### APPLICABLE FOR USA, CANADA OR WHERE APPROVED FOR USAGE

**CAUTION:** TO PREVENT ELECTRIC SHOCK, MATCH WIDE BLADE PLUG TO WIDE SLOT, INSERT FULLY.

**ATTENTION:** POUR EVITER LES CHOCS ELECTRIQUES, INTRODUIRE LA LAME LA PLUS LARGE DE LA FICHE DANS LA BORNE CORRESPONDANTE DE LA PRESE ET POUSSER JUSQU'AU FOND.

# [TEATRO<sup>®</sup>] soundbars TSB3.0

## [MOUNTING INSTRUCTIONS]

When selecting the speaker mounting location, it is prudent to take a few extra minutes to carefully inspect and measure the wall where you intend to mount the TSB3.0 speaker and your flat panel display. An inspection of the room, or rooms, that back up to the wall you have selected for mounting the TSB3.0 can often alert you to potential obstacles. An electronic stud-finder is a useful tool to assist you in selecting the speaker placement, but be cautious as they often give false readings. For example, if the wall you want to mount to happens to be the common wall for a bathroom or kitchen, there is a good chance you will encounter water or sewer pipes in the wall that will not be detected by a stud-finder. It is recommended, that wherever possible, you try to fasten these mounting brackets to a vertical stud with the appropriate wood screws. If it is not possible to mount the brackets over the studs then it is recommended that the appropriate hollow wall anchors or toggle bolts be used to mount the TSB3.0.

**Note:** In order for the Spatial Field Expanders to operate correctly, the sides of the soundbar must not be obstructed.

### STEP 1

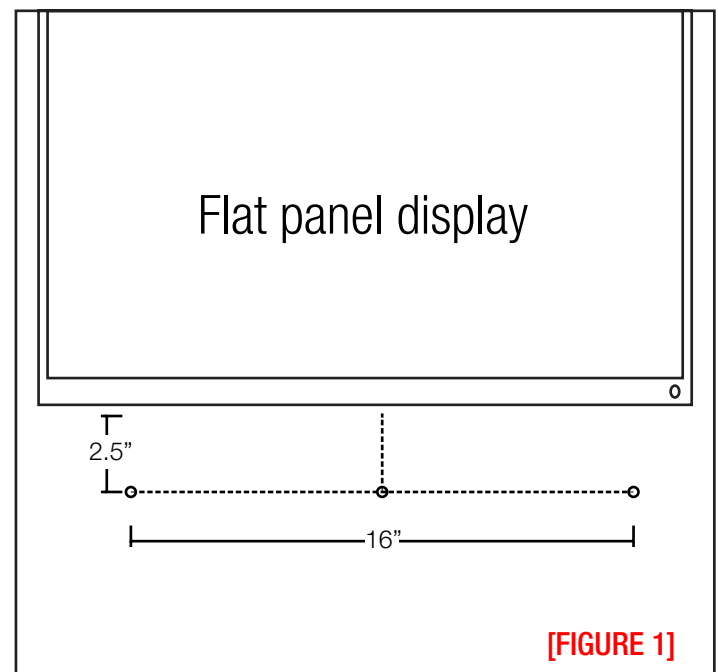
Determine that the desired mounting location is safe and clear of any physical obstructions that might hinder the proper installation of the speakers. If the flat panel monitor is already installed on the wall you can use it as a guide for the installation of the speaker. For the best appearance, it is recommended that the speaker be installed symmetrically beneath the monitor. The Soundbar's response characteristics will be best if you mount it within a few inches of the flat panel display.

Special consideration must be taken to run three (3) sets of speaker leads to the TSB3.0 speakers. One pair each will be

connected to the left and right channel on your amplifier and the other pair will be used for the center channel. Be certain that you can get the speaker wire to the locations where you plan to mount the speaker systems.

Please note that the TSB3.0 speakers are designed to mount very close to the wall and the brackets only allow about .5" of clearance so be certain to make allowances for this with your speaker connectors and wire clearances.

We suggest that you use a minimum of AWG 16 wire. Pre-run your speaker wire to the determined locations and be certain to leave about two feet of extra wire for the final speaker installation. If the flat panel monitor is not yet mounted to the wall, mount the display first before mounting the speakers.

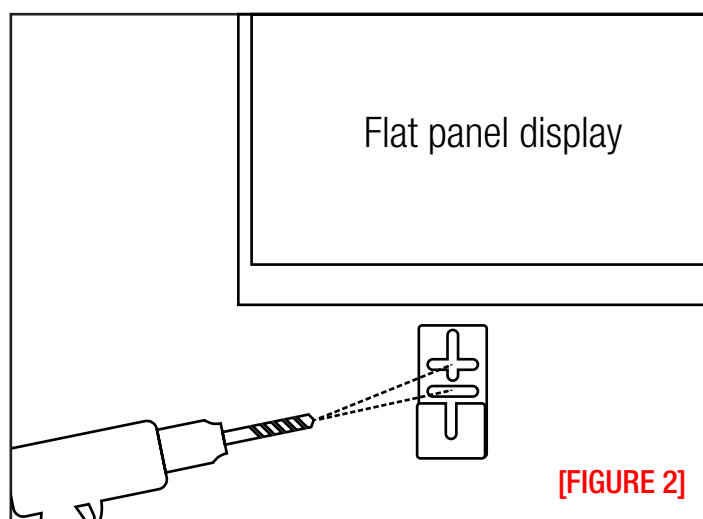


[FIGURE 1]

## STEP 2.1 – WALL MOUNTING

For the best audio experience, the TSB3.0 speaker should be centrally aligned and mounted directly below the TV display. Each speaker comes with two identical Mounting Brackets and these should be mounted to the wall 16 inches apart and centrally located under the TV.

First, locate the center line of your TV display and make a light pencil mark on the wall that is 2.5" below the bottom of your display. Next, measure to the left of this mark exactly 8" and make another mark at that point. Make sure this mark is also 2.5" below the TV. Repeat this process on the right side of the display – making sure that this mark is level with the mark on the left side. This will create two marks that are 16" apart and 2.5" below the bottom of your display (Figure 1). You have now identified the location for the two wall brackets for the TSB3.0 speaker.



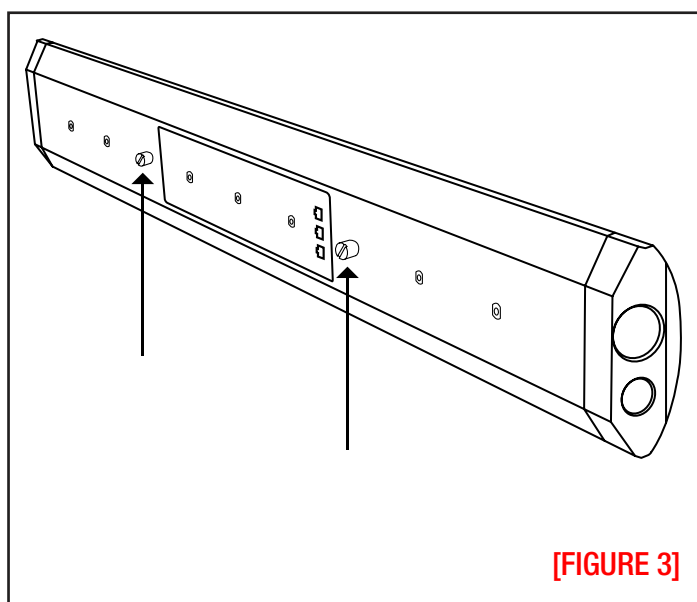
Using a 1/16" drill bit, drill a pilot hole at each of your two marks above. Place one of the wall brackets on the wall and align the pilot hole with the bottom slot on the bracket and drill a second pilot hole in the center of the upper slot on the bracket (Figure 2). This hole will be 7/8" above the first pilot hole. Repeat this process for the bracket on the other side. These pilot holes will let you know if your mounting bracket location is over a wall stud or not. If it is over a stud then that bracket can be installed with a suitable screw (for mounting on sheetrock walls, we recommend at least a #10 x 1.5" pan head screw and a flat washer between the screw and the bracket). If the location for the bracket is not over a wall stud, then suitable drywall anchors that can support 15 lbs each must be used.

Following the guidelines above, mount the two brackets to the wall. Once they are installed check that the center distance between the vertical mounting slots on the two brackets is exactly 16". Adjust the brackets with the horizontal slots until on they are 16" apart.

Locate the two holes on the back of the speaker that are 8" apart from the center hole and install the two Mounting Pins in

these holes (Figure 3). Your TSB3.0 speaker is now ready to be mounted to the wall.

Connect the Left Center and Right inputs from your surround receiver to the Male Euroblock connectors included with the speaker. Be careful to observe proper polarity; + (red) on your receiver to + on the speaker Euroblock connector. Connect the appropriate Euroblock connector to the left/center/right inputs on the back of the speaker before placing your speaker on the Mounting Brackets.



See step 3 for more detailed information on wiring the TSB3.0. Gently slide the Mounting Pins into the vertical mounting slots on the Mounting Brackets. Removal of the flat panel display may be necessary before mounting the TSB3.0. The Leveling Screws may be inserted in the bottom of the Mounting Bracket and used to adjust the height and to make sure the TSB3.0 speaker is level. Tightening the screw will raise the speaker and loosening it will lower it.

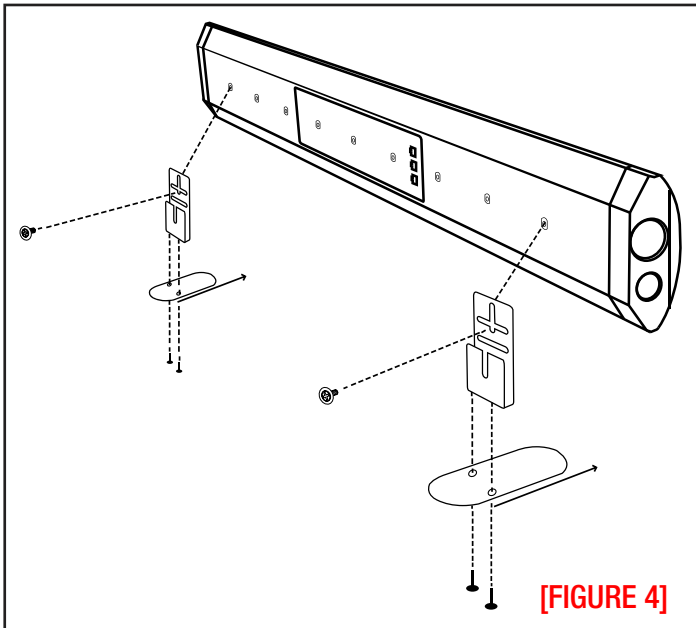
## STEP 2.2 – TABLE TOP MOUNTING

Place your TSB3.0 speaker face down on a soft clean surface with the grille on. Orient the speaker so the input terminals are on the right hand side. To attach the Table Top Mounting Feet to the Mounting Brackets, first remove the Leveling Screws from the underside of the Mounting Brackets and attach the Table Top Mounting Feet to the bottom of the bracket using the two supplied Phillips Table Top Mounting Feet Screws. Make sure that you orient the feet so that the longer side points to the front of the TSB3.0 (Figure 4).

Repeat this for the other Mounting Bracket and Table Top Mounting Foot. Once you have the Table Top Mounting Feet securely fastened to the Mounting Brackets, it is now time to mount them to the TSB3.0. Align the center of the cross section

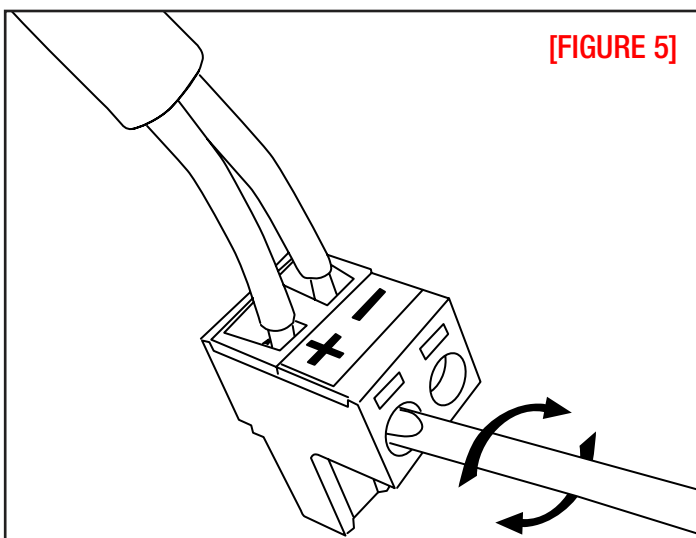
on the Mounting Bracket with the center of mounting holes on the rear of the speaker and fasten using the supplied Table Top Mounting Screws for each bracket.

**Note:** When mounting the table top brackets, fasten the brackets to the far end mounting holes on each side of the speaker cabinet.



### STEP 3

There are three Euroblock connector terminals on the rear of the speaker cabinet. The terminals are marked for Right Input, Center Input and Left Input and should be connected to the respective speaker channel outputs on your receiver. Connect the speaker wires to the correct terminals observing the polarity indicated on the Euroblock connector. Strip about .25" of insulation from the wires and separate the wires as necessary. Connect the signal wires to the 2-pin Euroblock connectors ((+) indicates positive and (-) indicates negative) (Figure 5). Make sure the connections are tight. Tuck the speaker wires behind the Soundbar cabinet, using tie wraps if necessary to secure wires.

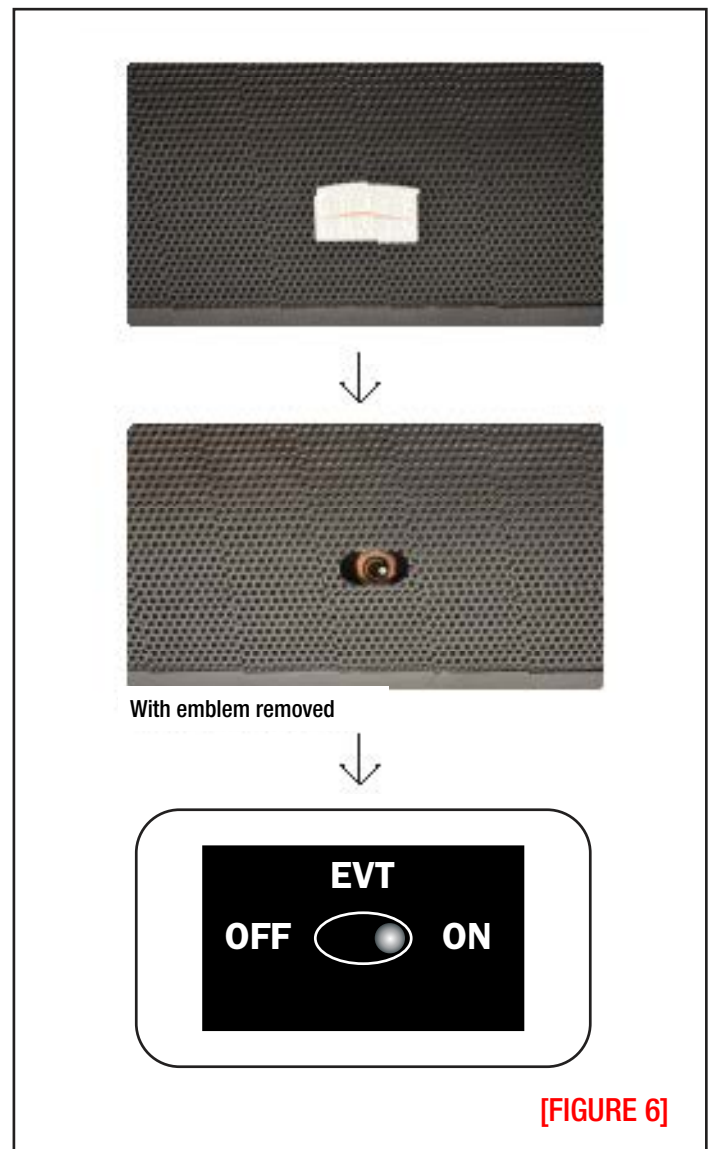


### STEP 4

Since the TSB3.0 speaker performs as the front three speakers in a home theater system they are to be used and set up as you would any normal 5.1 to 7.2 surround sound system for balance and level adjustments. For the best performance, the amplifier should be set to the small speaker mode for the left/center/right front speakers. The subwoofer setting should be set between 80 - 100 Hz. We recommend the use of our Phase Technology® subwoofers and surround speakers to complement your TSB3.0.

### STEP 5

The EVT™ switch (Figure 6), located on the front of the speaker under the Phase Technology emblem on the grille, activates Phase Technology's Enhanced Voice Technology feature. This feature is designed to improve the clarity of the voice or dialogue from the center channel speaker in the system. Flipping the switch to the on position (right) engages the circuit and off position (left) turns it off. The emblem can easily be removed and replaced. Use the tip of a pencil or a small screw driver to engage or turn off the EVT function.



## **[CARING FOR YOUR PHASE TECHNOLOGY SPEAKER]**

All Phase Technology speakers are finished with a high degree of craftsmanship in either hand polished paint or vinyl laminates. We recommend using a lint-free rag with a small amount of glass cleaner to maintain the long-lasting beauty of the finish. Avoid products containing silicones, oils, oil derivatives, or solvents. Enclosures finished in vinyl laminates may be cleaned with a damp cloth as necessary.

## **[MAINTENANCE AND SERVICE]**

Because of Phase Technology's uncompromising quality control programs, it's unlikely that your speakers will ever need service if connected and used as outlined in this Owners' Manual. In the unlikely event that a problem does occur, please contact your Phase Technology dealer. Your dealer has the necessary factory-authorized parts and trained technicians to quickly restore your speaker to its original performance specifications.

## **[TROUBLESHOOTING]**

### **NO SOUND**

1. Verify that all components are plugged in and turned on.
2. Check all speaker wires and cables for loose connections.
3. Check to see if you have selected the proper source on your amplifier.

### **VOICES DO NOT APPEAR TO COME FROM BETWEEN THE SPEAKERS / BASS RESPONSE IS WEAK**

1. Verify that all speaker connections from the amplifier to the speakers are running PLUS+ to PLUS+ and MINUS- to MINUS-.
2. Check to see if there are any furnishings or plants that may be blocking the output of a speaker. Make sure nothing is directly in front of that speaker.

### **SOUND, BUT NO BASS (MOST LIKELY IN SYSTEMS WITH A SUBWOOFER)**

1. Verify that the subwoofer is plugged into an AC outlet and power is turned on.
2. Check that the speaker wire / cable going from the amplifier/receiver to the subwoofer is securely fastened.
3. Check the volume control of the subwoofer.
4. Refer to your amplifier/receiver manual to make sure you have adjusted its bass output properly.

### **MUDDY OR BOOMY BASS**

1. Check the volume control for the subwoofer. Excess volume can cause speakers to sound distorted and unnatural.
2. Try adjusting the crossover control on the subwoofer or the subwoofer setup on your receiver to a slightly lower frequency (example: reduce from 120 Hz to 80 or 60 Hz).
3. If the subwoofer or full size speaker is close to a corner, side or back wall, try moving it away from the wall. This may reduce the "boomy" bass considerably.
4. Bookshelf speakers placed in a semi-enclosed space or cabinet can artificially emphasize bass output. Reduce the bass control on your amplifier or move the speakers to the front of the cabinet. Alternatively, reposition the speakers to a more open location.

### **DISTORTED SOUND FROM THE SPEAKERS**

1. This problem is usually caused by setting the volume control too high. Reduce the amplifier/receiver volume to a lower level.
2. If noise and distortion are audible at higher volume levels, your amplifier may not be powerful enough. Consider upgrading to a unit with higher power.

NOTE: Remember, even though your Phase Technology speakers can handle considerable power levels, ANY speaker if used improperly can be damaged. Consult your Phase Technology dealer for assistance in choosing a new amplifier or receiver.


## [WARRANTY]

**LIMITED WARRANTY:** Phase Technology warrants its loudspeakers to be free from defects in material and workmanship for a period of ten (10) years for speaker product, limited lifetime for CI speakers, and three (3) years for the electronic components to the original purchaser. Purchase must be made from an authorized Phase Technology dealer.

This warranty does not cover service or parts to repair damage caused by misuse, abuse, damage while in transit, alterations, unauthorized repairs, failure to follow instructions, fire, flood or any other cause beyond the reasonable control of Phase Technology. Defects in speaker cabinets or grilles must be brought to the attention of your dealer immediately after purchase. This warranty will be void if the products' serial number has been altered or removed.

Should your Phase Technology product require service, please call the MSE Audio customer service department for a return authorization. All merchandise returned to Phase Technology without prior authorization will be refused. For your return authorization number, please call 855.663.5600 or email [sales@mseaudio.com](mailto:sales@mseaudio.com).

## [SPECIFICATIONS]

<b>TEATRO® TSB3.0 SOUNDBAR</b>	
<b>DESCRIPTION</b>	2-way ultra-thin sounbar with EVT™
<b>TWEETER</b>	(3) .75" silk/synthetic blend soft dome
<b>SFE</b>	(2) 1" aluminum wide range driver
<b>WOOFER</b>	(6) 3" polypropylene ultra-long throw
<b>FREQUENCY</b>	75 Hz - 20 kHz
<b>SENSITIVITY</b>	90 dB
<b>IMPEDANCE</b>	8 Ohms
<b>MAXIMUM POWER</b>	100 Watts
<b>DIMENSIONS</b>	6.75" H x 43" W x 1.5" D
<b>WEIGHT</b>	12 lbs.
<b>FINISH OPTIONS</b>	Brushed Black Aluminum
<b>GRILLE</b>	Pressure Fit Powder-Coated Aluminum
	





MSE AUDIO® [  INDUCTION DYNAMICS®  PHASE TECHNOLOGY  Rockistics® Solid Drive®  SOUNDTUBE ENTERTAINMENT  SOUNDSPHERE LOUDSPEAKERS ]

www.mseaudio.com | 8005 W. 110th Street | Suite 208 | Overland Park, KS 66210 | p:913.663.5600 | f:913.663.3200